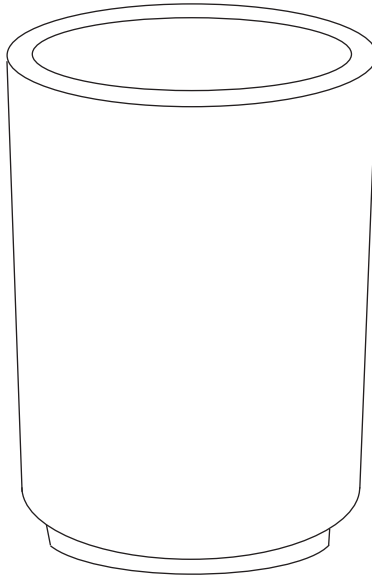
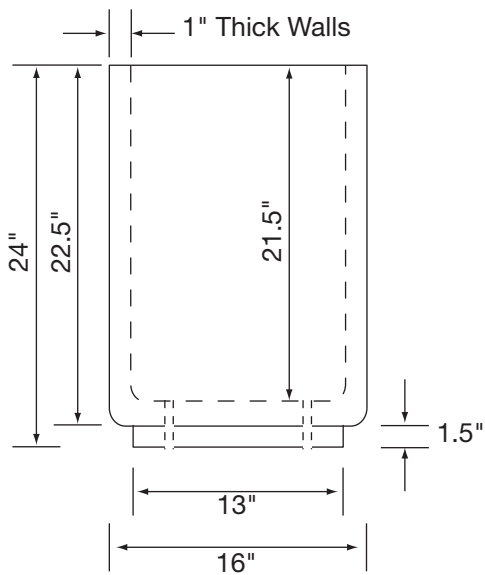
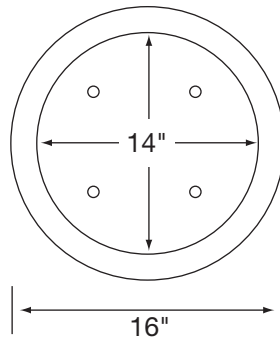


**American Eagle
Round Ash Tray**

Weight 145 lbs.



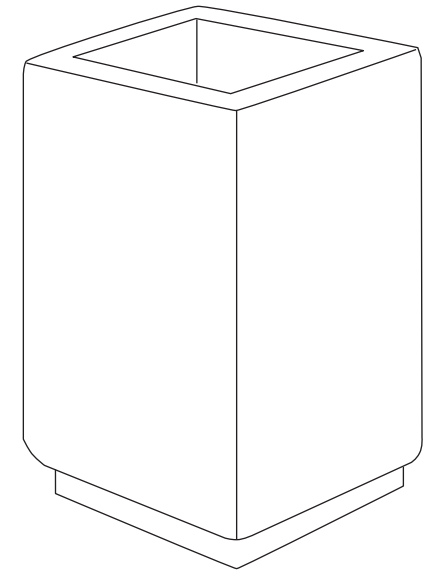
TOP VIEW



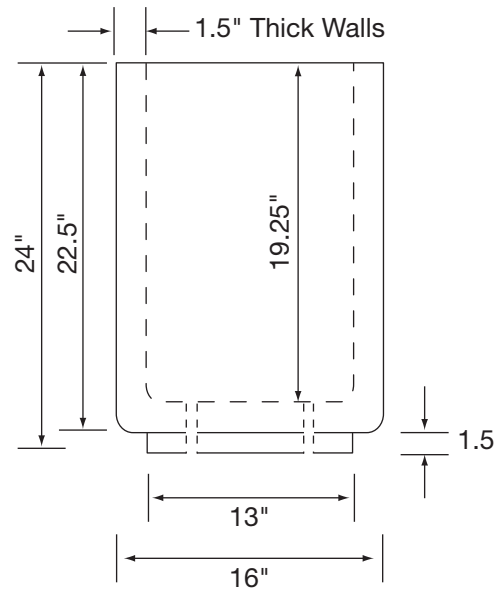
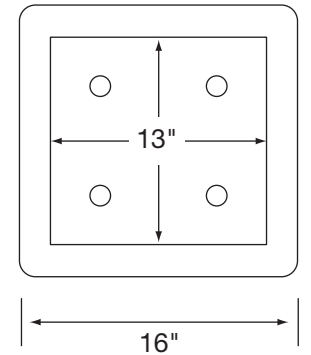
INSIDE / SIDE VIEW

**American Eagle
Square Ash Tray**

Weight 200 lbs.



TOP VIEW



INSIDE / SIDE VIEW



AMERICAN EAGLE PRECAST, LLC

17301 Conant Avenue Detroit, MI 48212-1198

Phone: 313-893-6700 Fax: 313-893-5322

www.americaneagleprecast.com