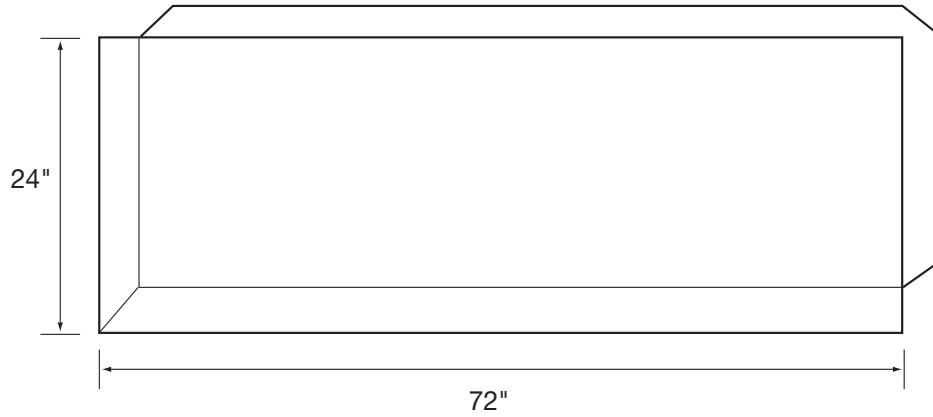
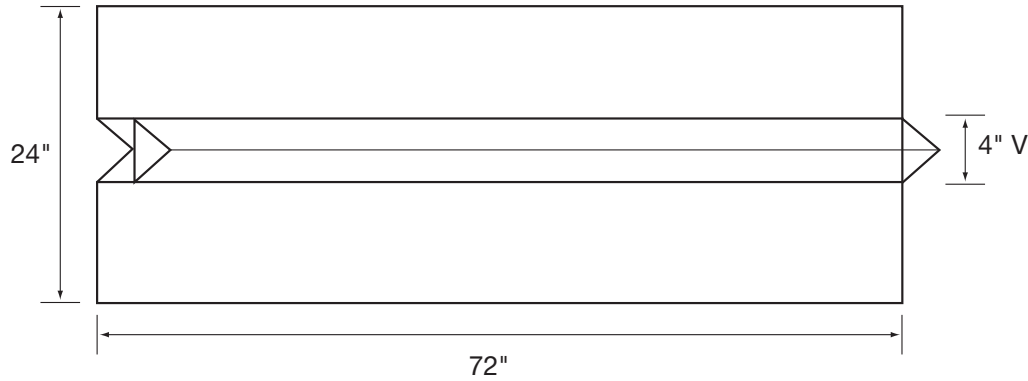


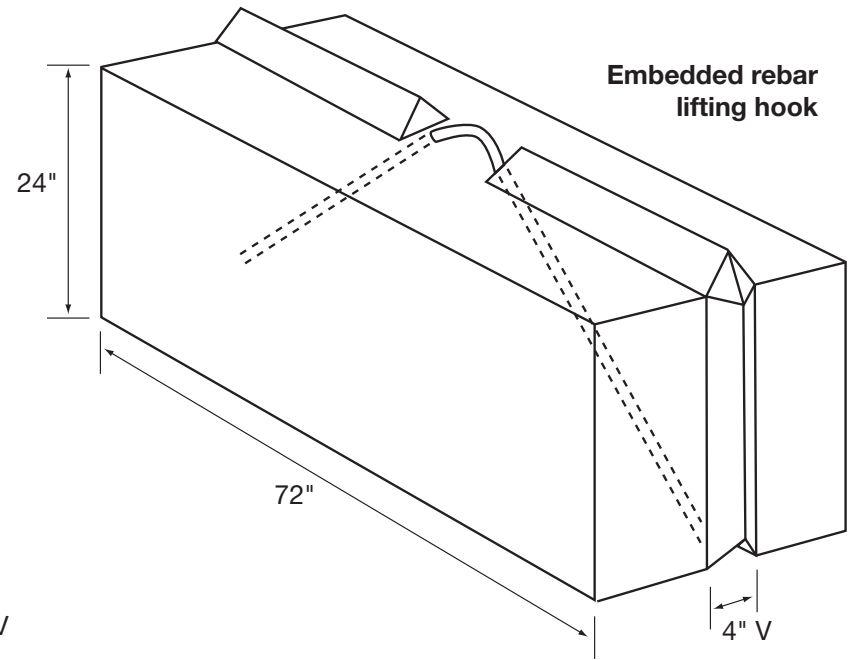
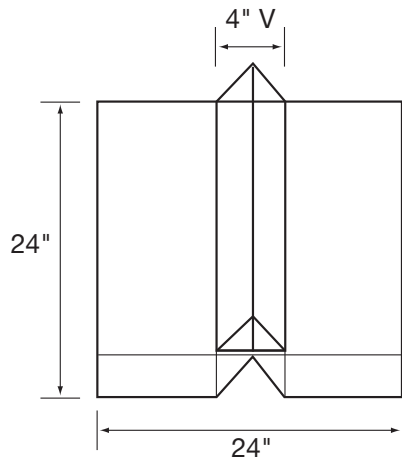
SIDE VIEW



TOP VIEW



END VIEW



**American Eagle
Concrete Material
Bin Block**
Weight 3700 lbs.

Also available in
24", 36" and 48" lengths.



AMERICAN EAGLE PRECAST, LLC

17301 Conant Avenue Detroit, MI 48212-1198

Phone: 313-893-6700 Fax: 313-893-5322

www.americaneagleprecast.com