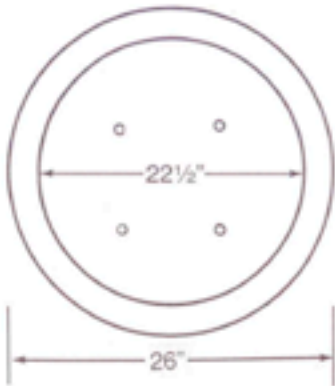
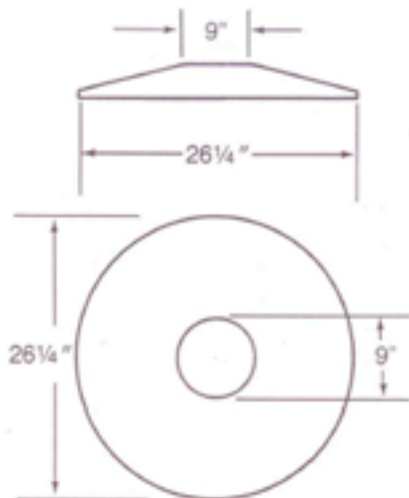


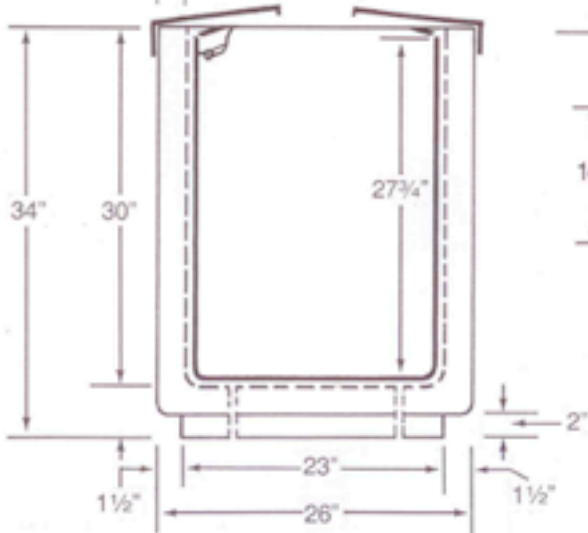
TOP VIEW



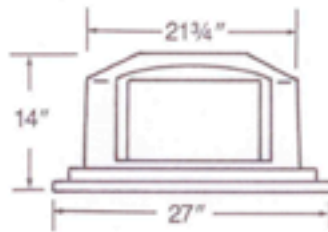
BROWN FIBERGLASS LID



2" THICK WALLS



INSIDE/SIDE VIEW



(COVERED DOME LID ALSO AVAILABLE)

ROUND WASTE BASKET

WEIGHT 575 lbs.



AMERICAN EAGLE PRECAST, LLC

17301 Conant Avenue Detroit, MI 48212-1198

Phone: 313-893-6700 Fax: 313-893-5322