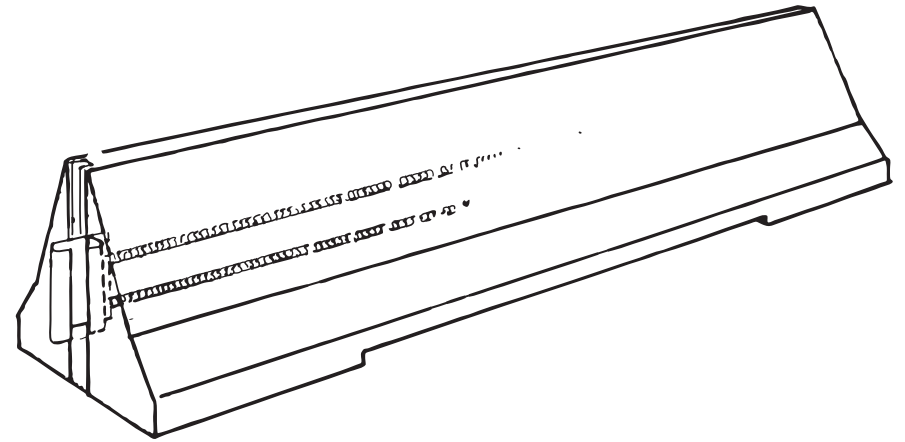
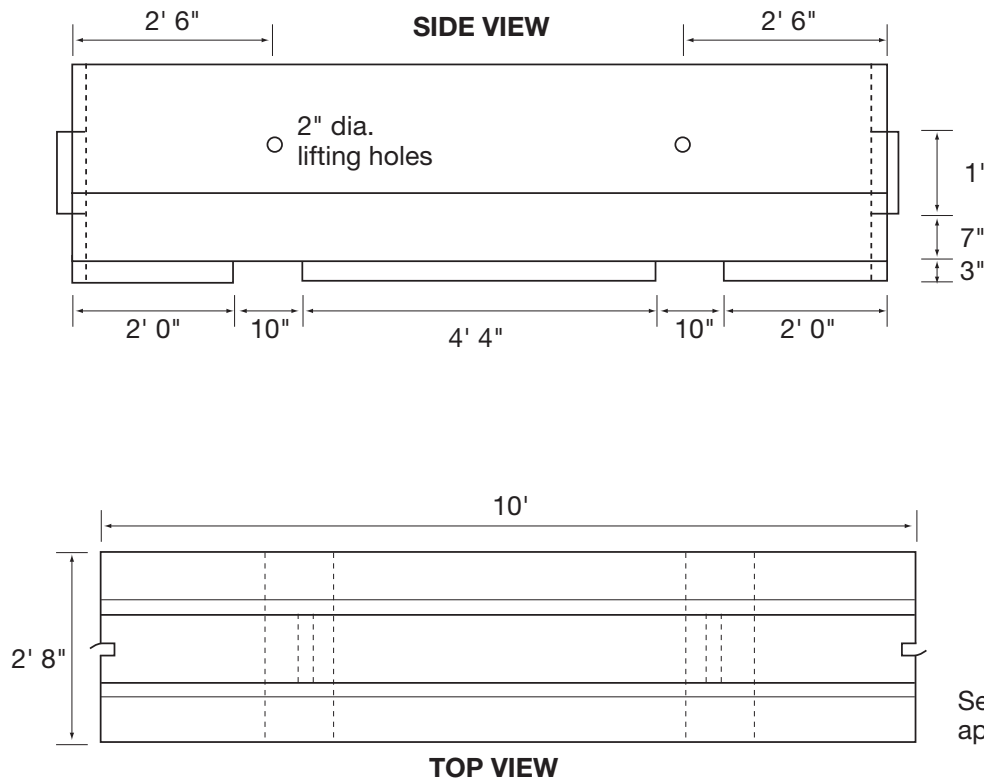
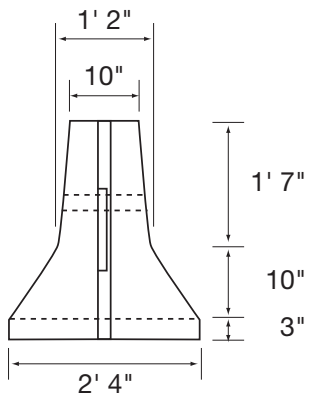


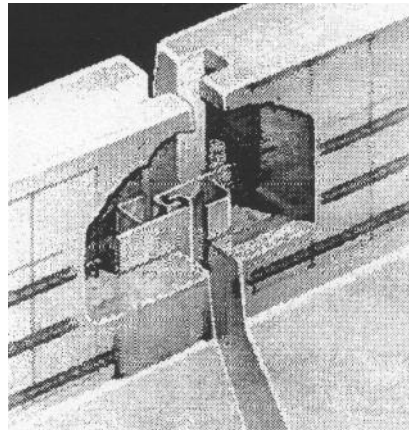
**CONFORMS TO M.D.O.T.
BUREAU OF HIGHWAY
STANDARDS**



Sections joined with patented FHWA approved J-J Hooks Connectors



END VIEW



J-J Hook Cut-Away

**10' American Eagle
Jersey Concrete
Median Barrier**

Weight 4800 lbs.



AMERICAN EAGLE PRECAST, LLC

17301 Conant Avenue Detroit, MI 48212-1198

Phone: 313-893-6700 Fax: 313-893-5322

www.americaneagleprecast.com