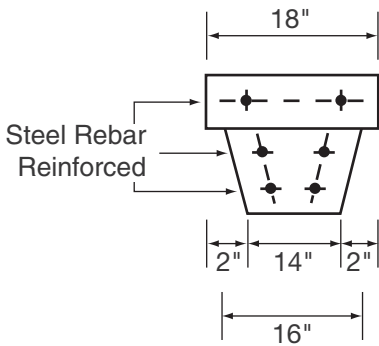


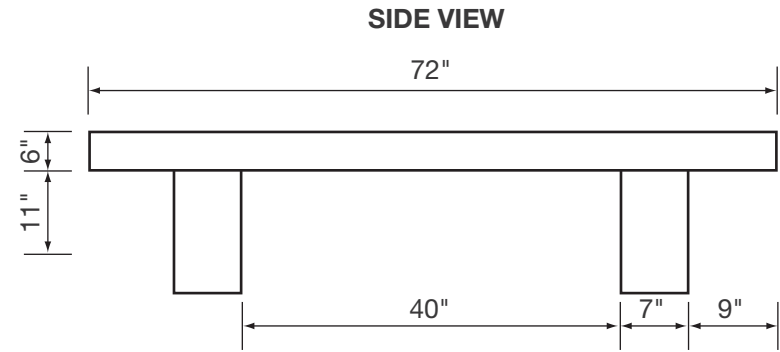
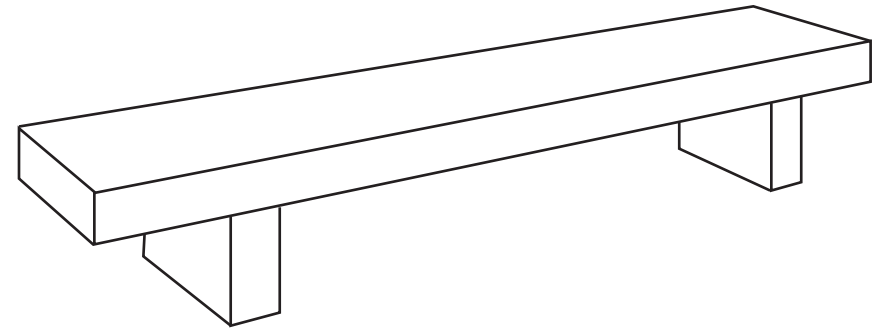
**SIDE VIEW**



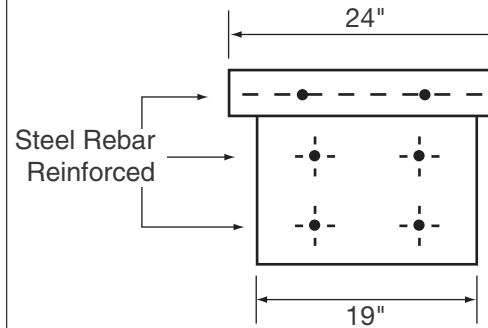
**END VIEW**

**American Eagle  
8' 21st Century  
Bench**

Weight 1,200 lbs.



**SIDE VIEW**



**END VIEW**

**American Eagle  
6' 21st Century  
Bench**

Weight 1,000 lbs.



**AMERICAN EAGLE PRECAST, LLC**

17301 Conant Avenue Detroit, MI 48212-1198

Phone: 313-893-6700 Fax: 313-893-5322

[www.americaneagleprecast.com](http://www.americaneagleprecast.com)