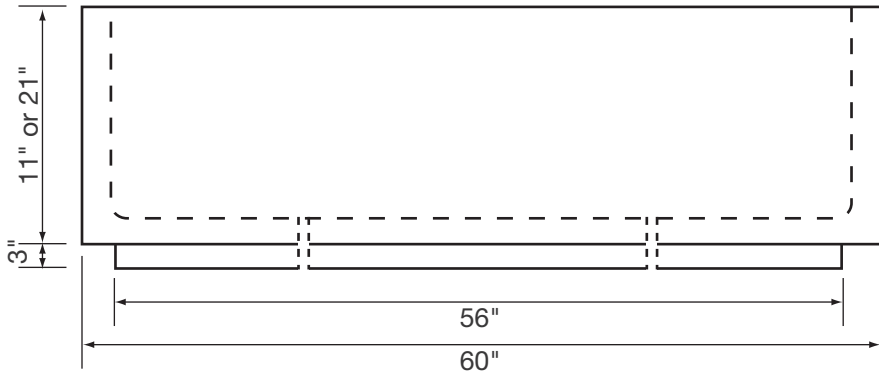
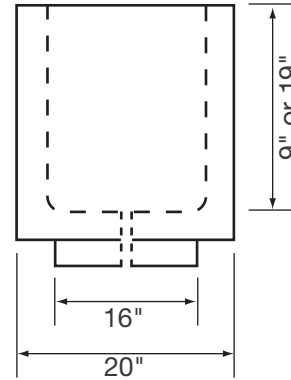


SIDE VIEW



END VIEW

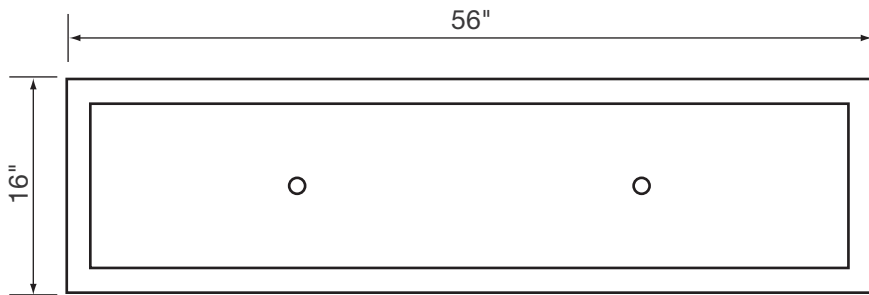


**American Eagle
Rectangular Planter**

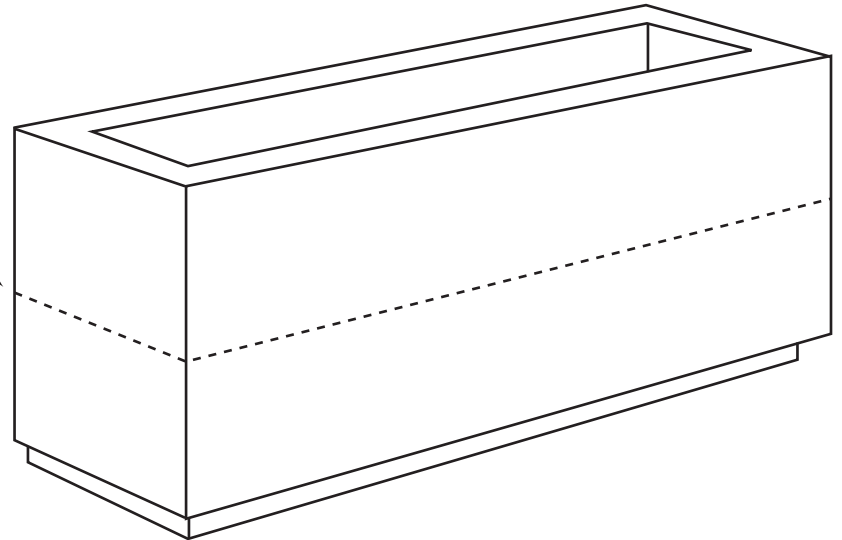
14" Height
Weight 700 lbs.

24" Height
Weight 950 lbs.

Also Available
in 14" Height



TOP VIEW



17301 Conant Avenue Detroit, MI 48212-1198

Phone: 313-893-6700 Fax: 313-893-5322

www.americaneagleprecast.com