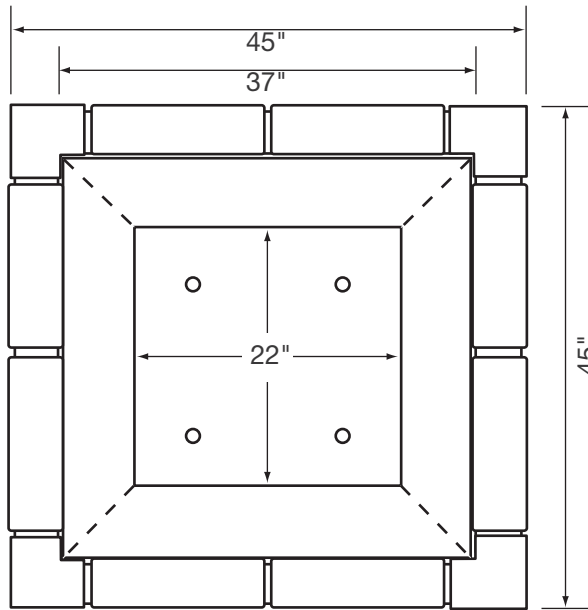
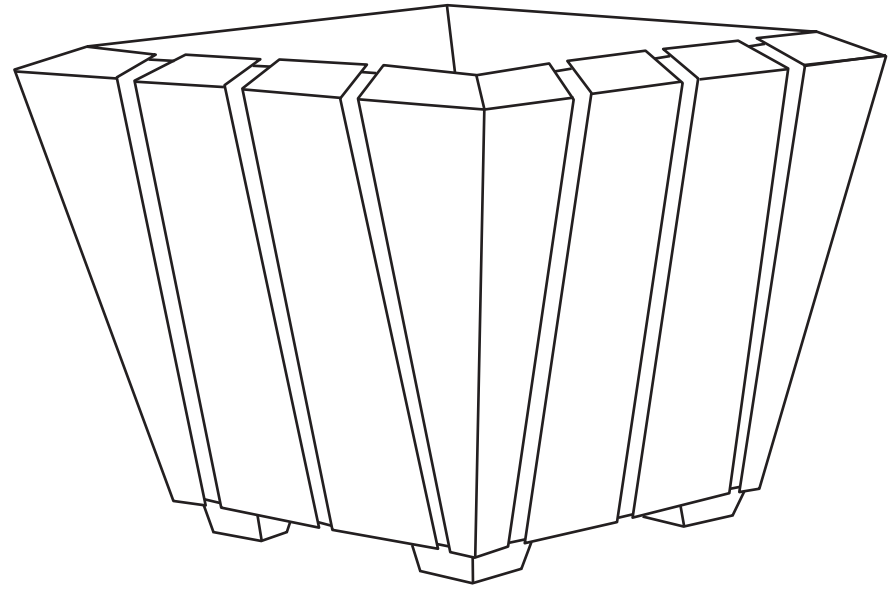
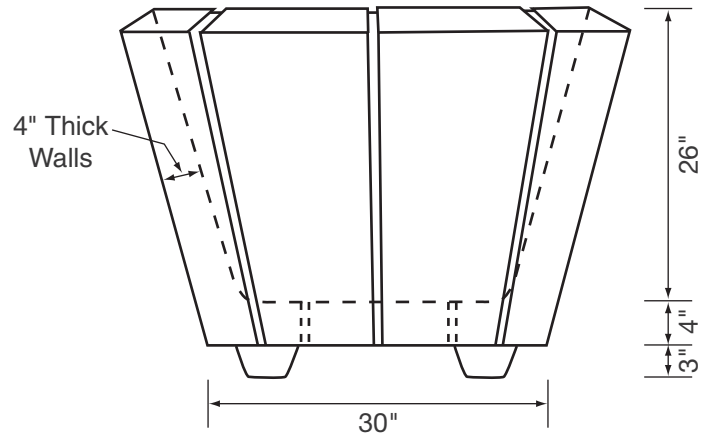


INSIDE / SIDE VIEW



TOP VIEW

**American Beauty
Planter**

Weight 1,700 lbs.



AMERICAN EAGLE PRECAST, LLC

17301 Conant Avenue Detroit, MI 48212-1198

Phone: 313-893-6700 Fax: 313-893-5322

www.americaneagleprecast.com