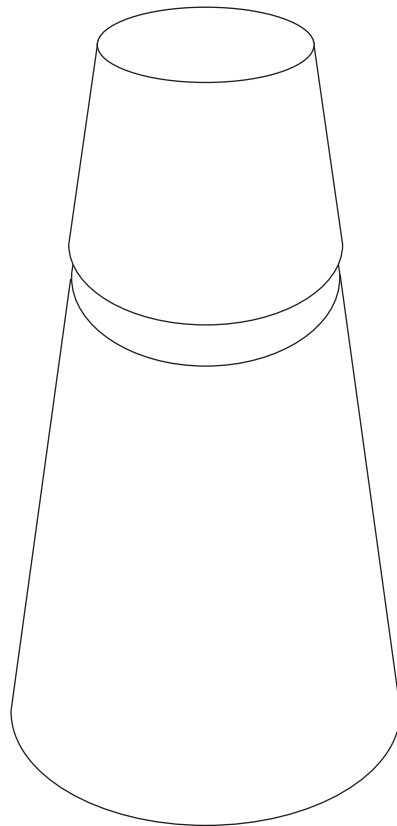
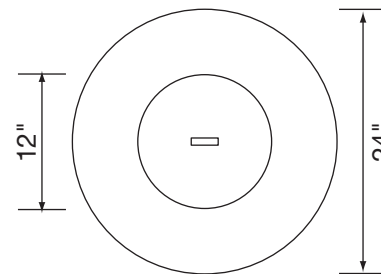
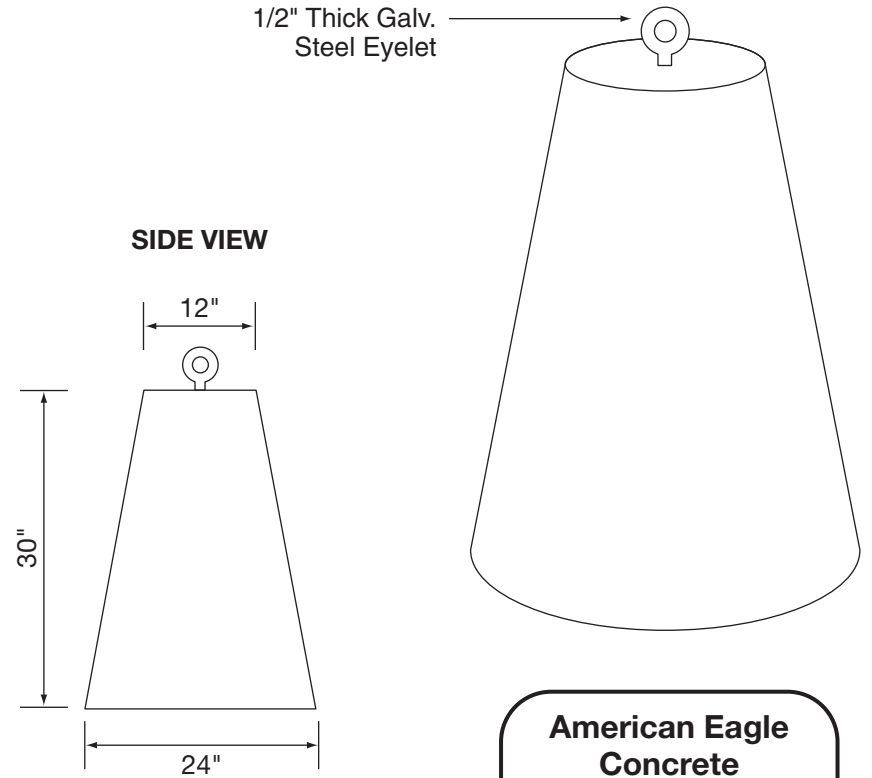


TOP VIEW



**American Eagle
Concrete
Cone Bollard
Style II**

Weight 1,250 lbs.



TOP VIEW

**American Eagle
Concrete
Cone Bollard
Style I**

Weight 675 lbs.



AMERICAN EAGLE PRECAST, LLC

17301 Conant Avenue Detroit, MI 48212-1198

Phone: 313-893-6700 Fax: 313-893-5322

www.americaneagleprecast.com