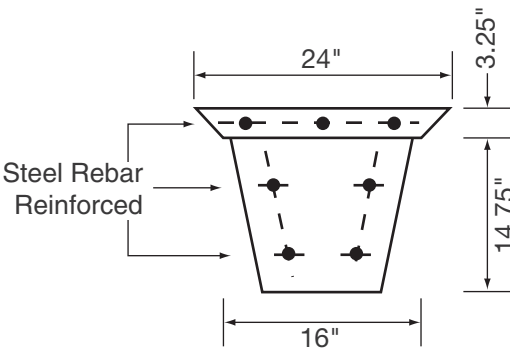
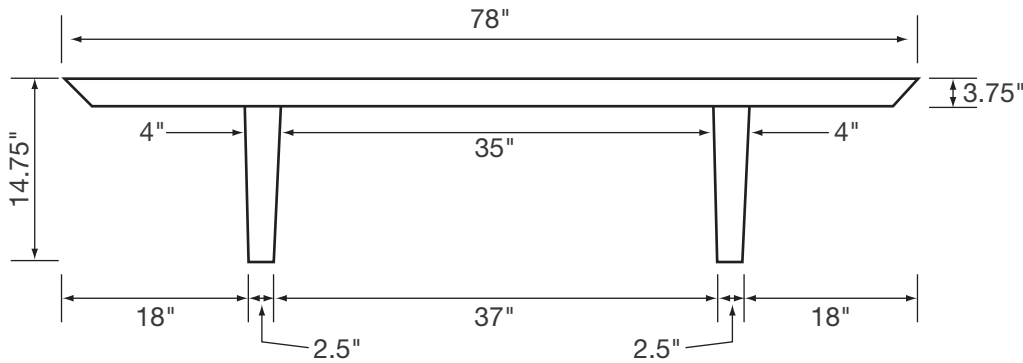


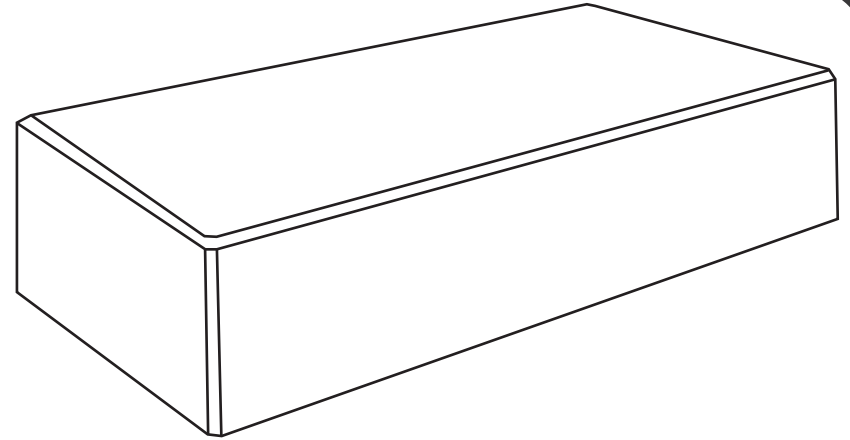
SIDE VIEW



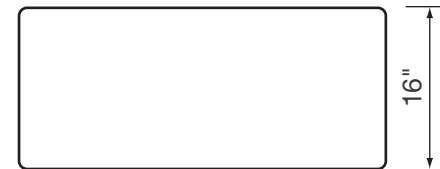
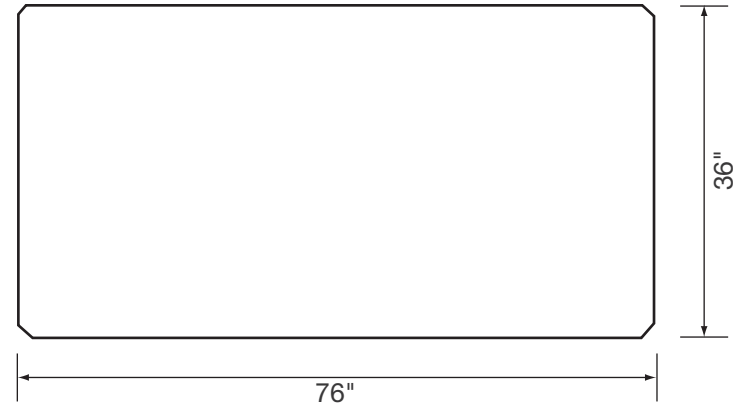
END VIEW

**American Eagle
Beauty Bench**

Weight 500 lbs.



TOP VIEW



END VIEW

**American Eagle
Picnic Bench**

Weight 1,700 lbs.



AMERICAN EAGLE PRECAST, LLC

17301 Conant Avenue Detroit, MI 48212-1198

Phone: 313-893-6700 Fax: 313-893-5322

www.americaneagleprecast.com