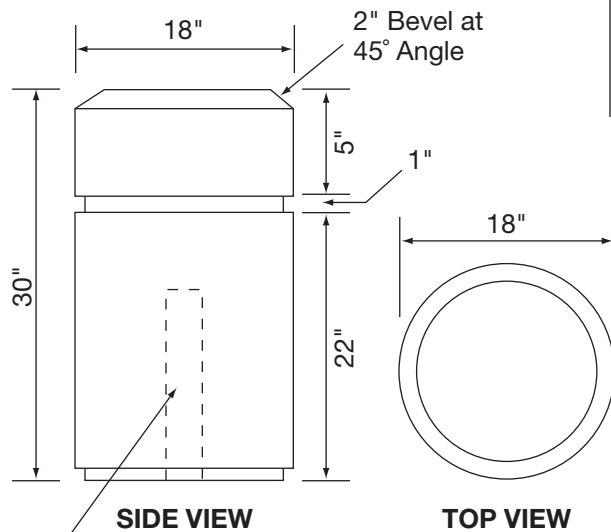
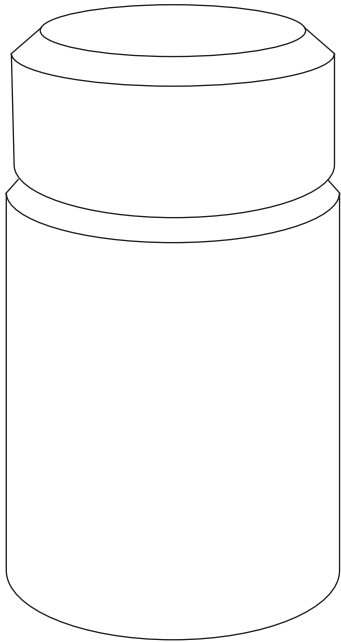


**American Eagle Round
Concrete 18" x 30" Bollard**

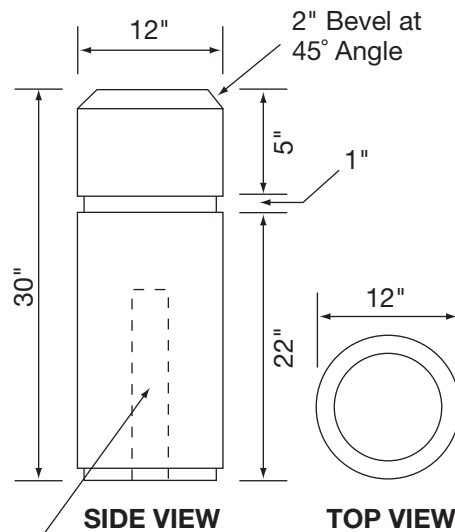
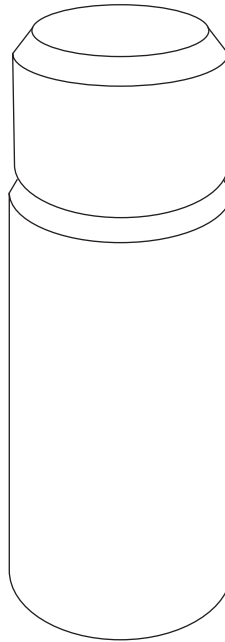
Weight 670 lbs.



3" Diameter x 15" Deep
Opening for Mounting Post

**American Eagle Round
Concrete 12" x 30" Bollard**

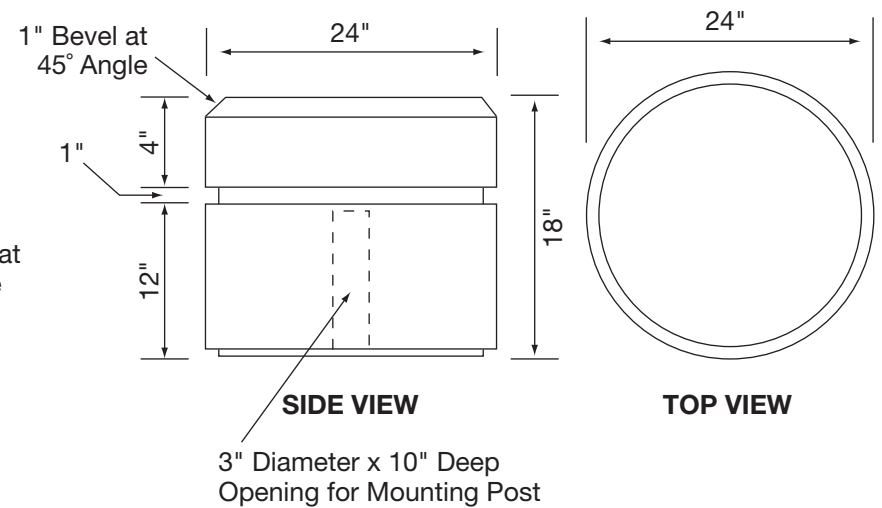
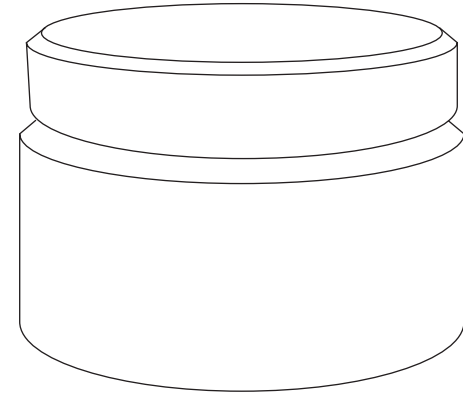
Weight 300 lbs.



3" Diameter x 15" Deep
Opening for Mounting Post

**American Eagle Round
Concrete 24" x 18" Bollard**

Weight 700 lbs.



AMERICAN EAGLE PRECAST, LLC

17301 Conant Avenue Detroit, MI 48212-1198

Phone: 313-893-6700 Fax: 313-893-5322

www.americaneagleprecast.com