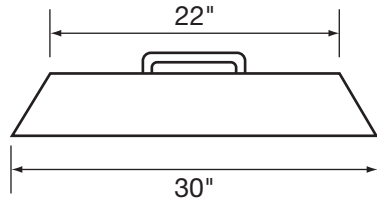
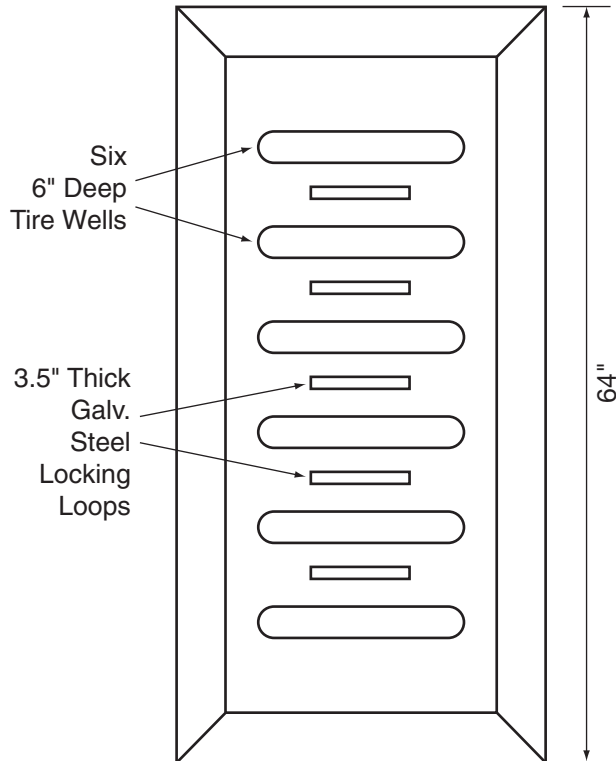
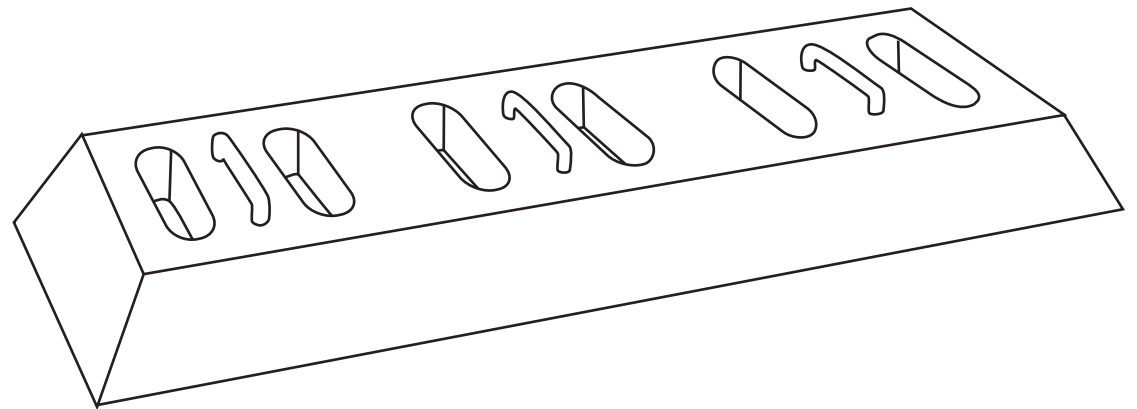
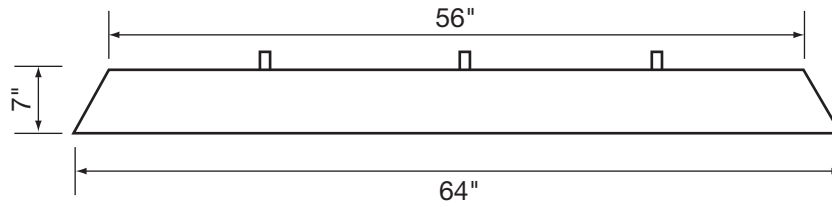


END VIEW



SIDE VIEW



TOP VIEW

**American Eagle
Bike Rack**

Weight 700 lbs.



AMERICAN EAGLE PRECAST, LLC

17301 Conant Avenue Detroit, MI 48212-1198

Phone: 313-893-6700 Fax: 313-893-5322

www.americaneagleprecast.com