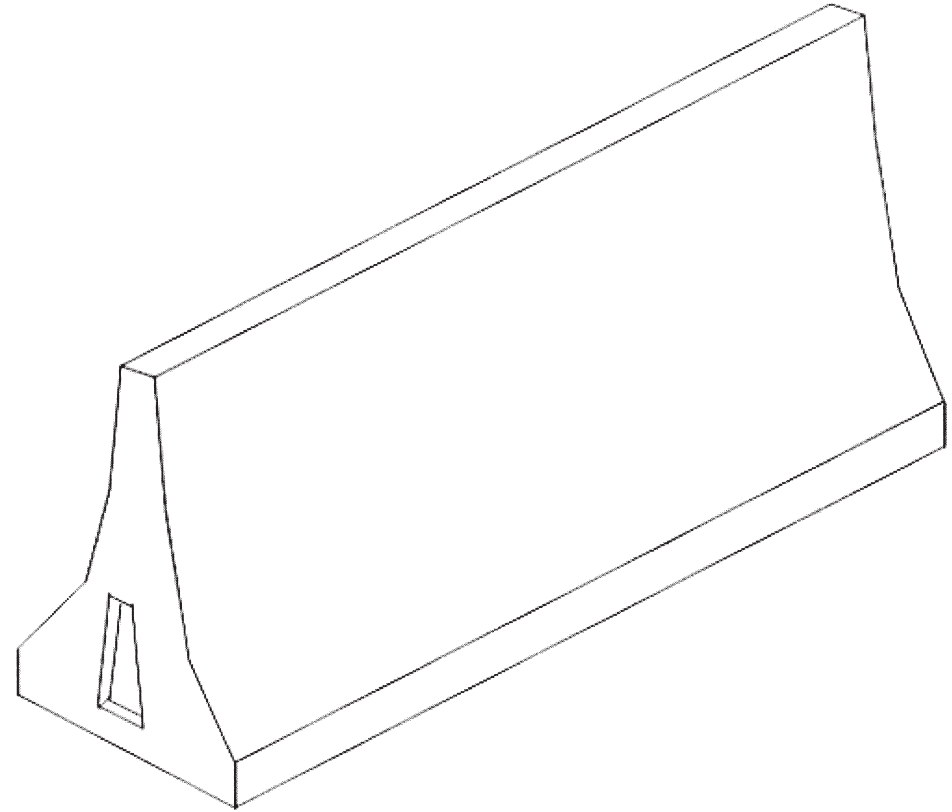
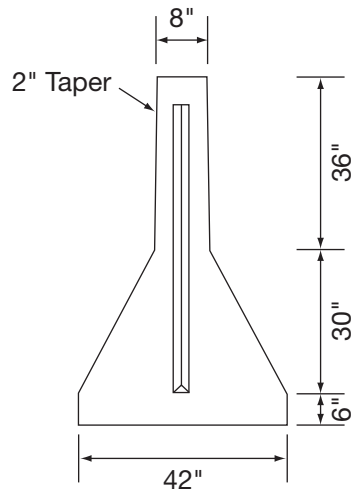
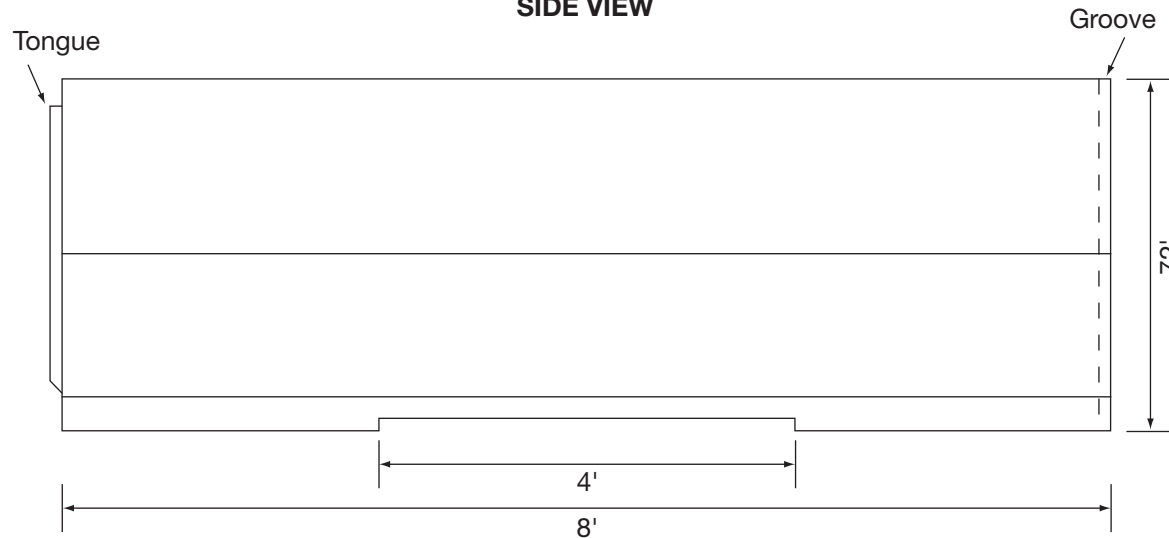


**END VIEW**



**SIDE VIEW**



**American Eagle  
Jumbo Concrete  
Median Barrier**

Weight 8,600 lbs.



**AMERICAN EAGLE PRECAST, LLC**

17301 Conant Avenue Detroit, MI 48212-1198

Phone: 313-893-6700 Fax: 313-893-5322

[www.americaneagleprecast.com](http://www.americaneagleprecast.com)