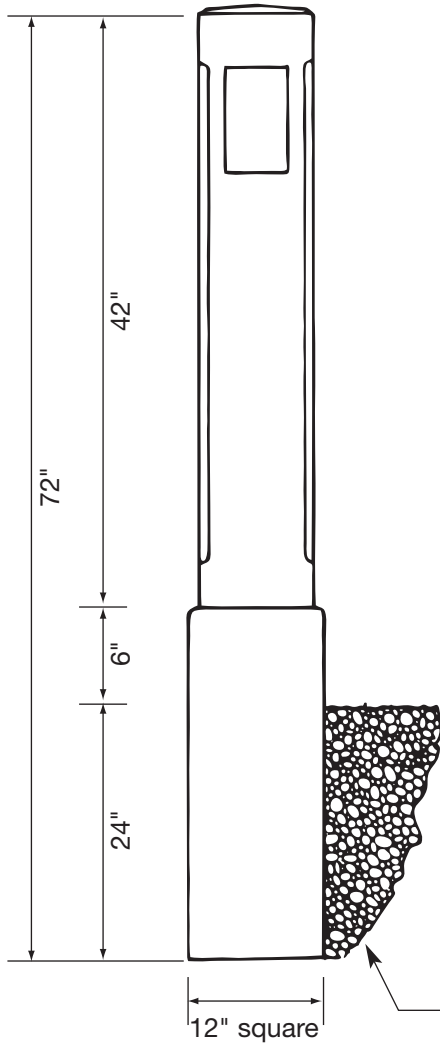
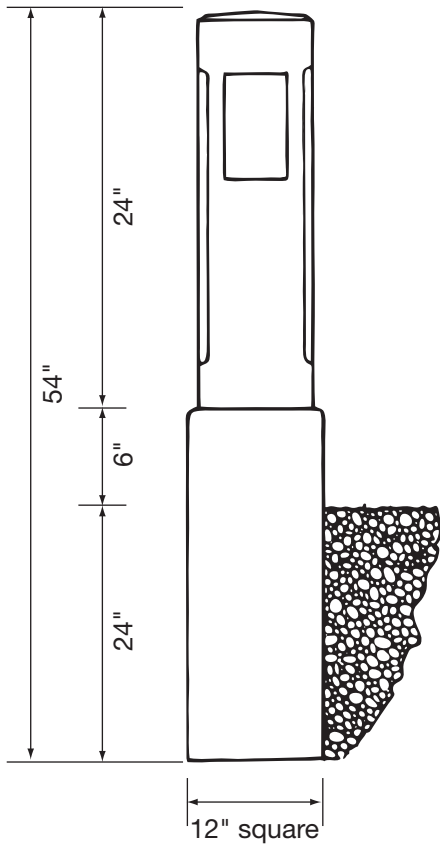


**American Eagle
Parking/Sign Bollard**

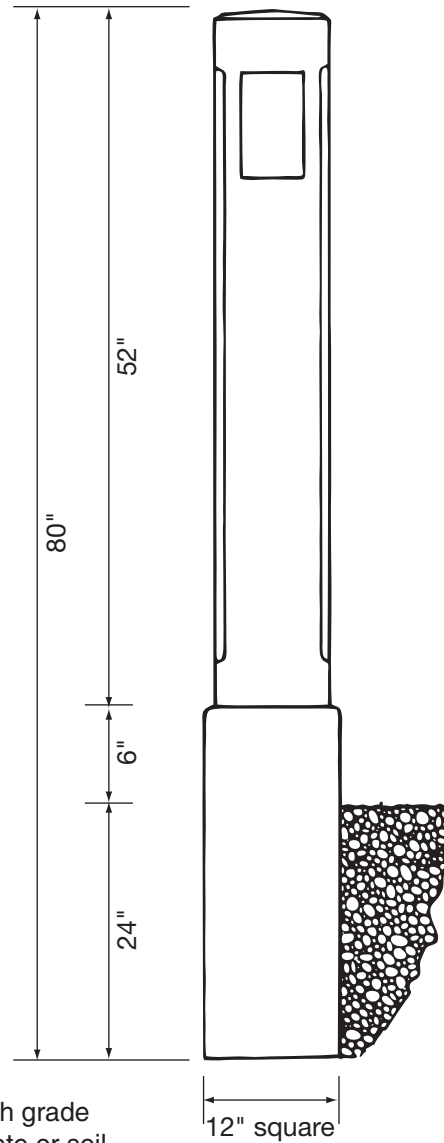
54" Height
Weight 550 lbs.

72" Height
Weight 700 lbs.

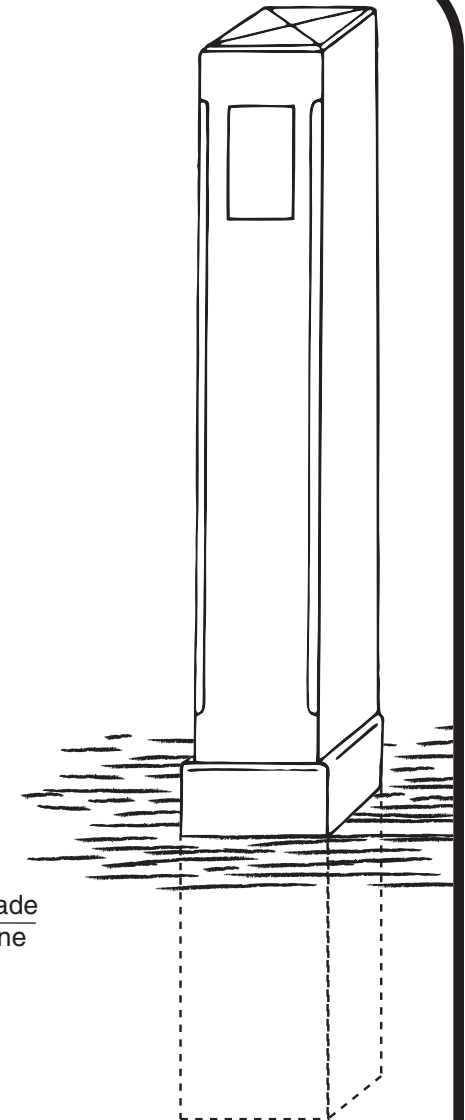
80" Height
Weight 800 lbs.



Finish grade
concrete or soil



Grade
Line



AMERICAN EAGLE PRECAST, LLC

17301 Conant Avenue Detroit, MI 48212-1198

Phone: 313-893-6700 Fax: 313-893-5322

www.americaneagleprecast.com