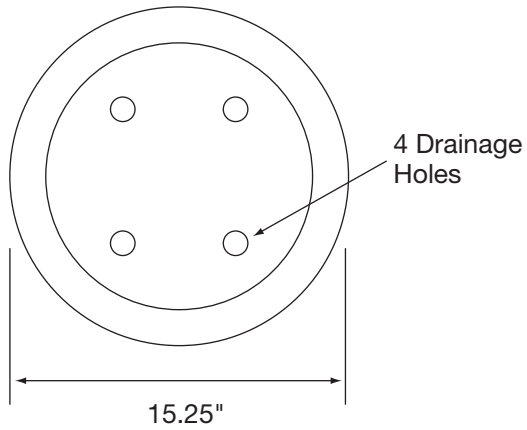
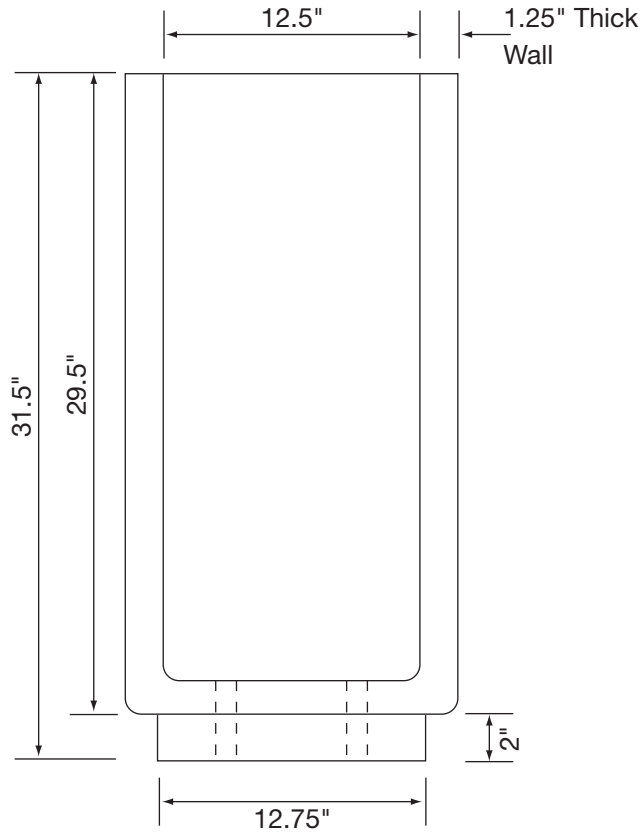
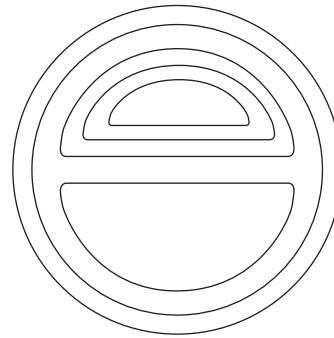


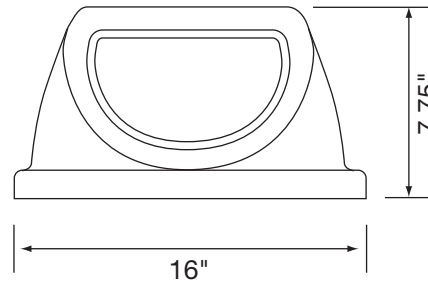
TOP VIEW



**RUBBERMAID
DOME TOP
WITH ASHTRAY**

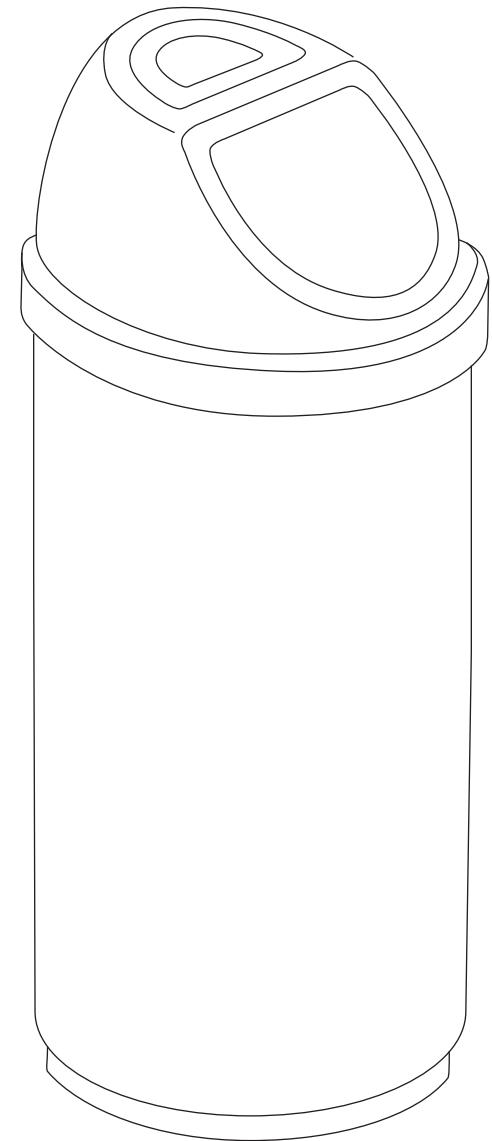


INSIDE / SIDE VIEW



**American Eagle
Round Ash/
Trash Unit**

Weight 200 lbs.



AMERICAN EAGLE PRECAST, LLC

17301 Conant Avenue Detroit, MI 48212-1198

Phone: 313-893-6700 Fax: 313-893-5322

www.americaneagleprecast.com