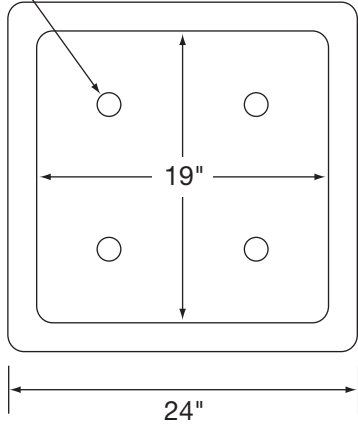
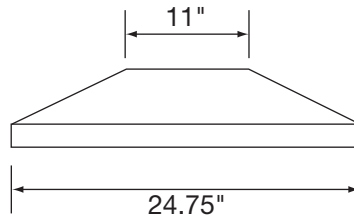
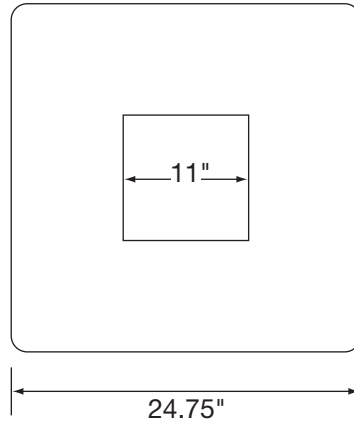


4 Drainage Holes

**TOP VIEW**



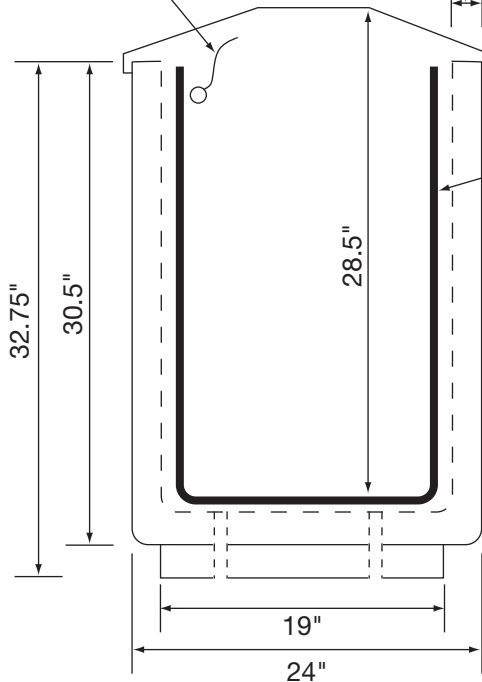
**BROWN PVC  
OPEN LID TOP**



Locking Wire Rope

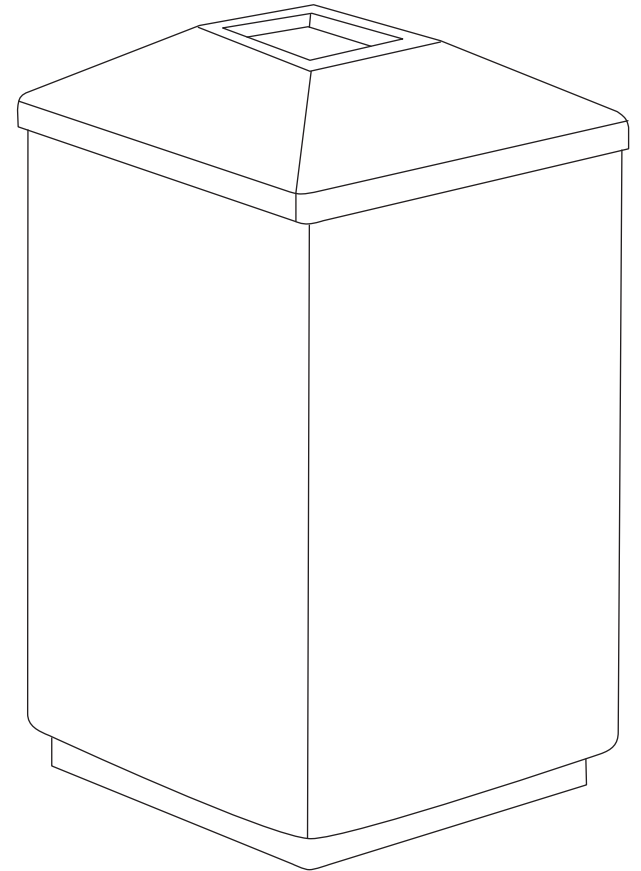
2½" Thick Walls

Includes  
32 Gallon  
PVC Innerliner



**INSIDE / SIDE VIEW**

**American Eagle  
Square Concrete  
Waste Basket**  
Weight 680 lbs.



**AMERICAN EAGLE PRECAST, LLC**

17301 Conant Avenue Detroit, MI 48212-1198

Phone: 313-893-6700 Fax: 313-893-5322

[www.americaneagleprecast.com](http://www.americaneagleprecast.com)